

GENERAL TECHNICAL DATA

dimensions:

- depth: 51,5 cm
- height: 45 cm
- width: 51,5 cm

weight: 19 kg

*weight when using exotic wood

materials:

- steel: construction or stainless
- wood: domestic coniferous or exotic
- HPL

DESCRIPTION

Scandik 02.146.1 is a 90 degree connector for benches and planters. With this connector, we can set up Scandik benches and planters perpendicularly to each other.

The connector is made of steel and wood. We have a choice of carbon steel, which are galvanized and paint in the RAL color specified by the customer or stainless steel. The wood is a choice of domestic coniferous or exotic wood. There is also a possibility of replacing wood with an HPL laminate or the product can be made entirely of steel.

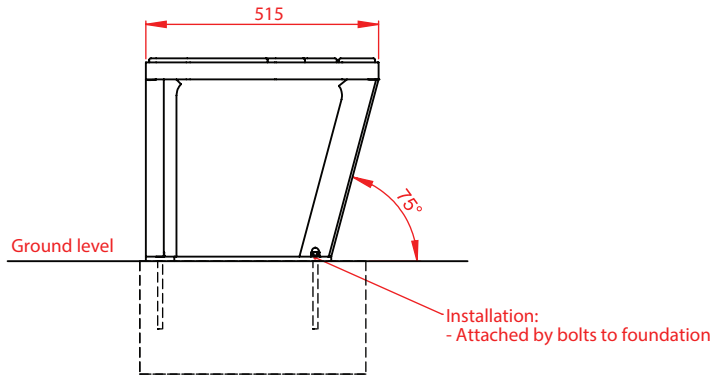
The connector is part of the modular line Scandik, whose universal character allows you to freely combine its elements in different spaces, both modern and more traditional.



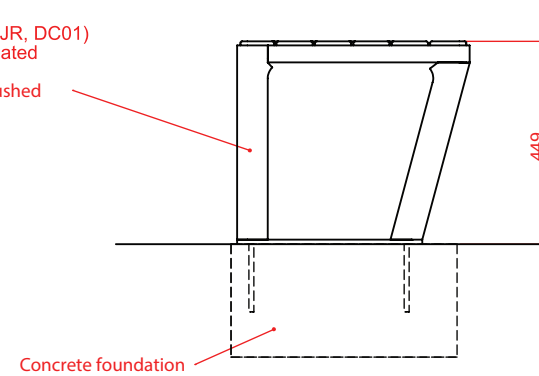
Iwona Pieczara

product:
Scandik seat 90° 02.146.1
version: 01
designer: Iwona Pieczara
2020

FRONT VIEW

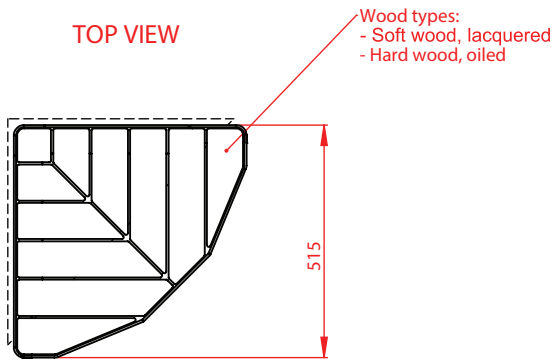


SIDE VIEW

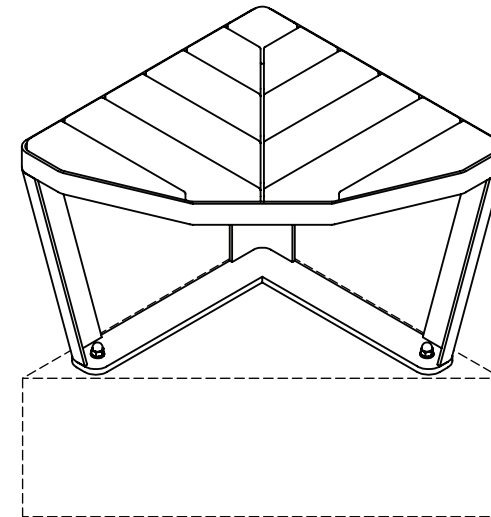


Steel types:
 - Construction steel (S235JR, DC01) galvanized and powder coated according to RAL palette
 - Stainless steel (1.4301), brushed

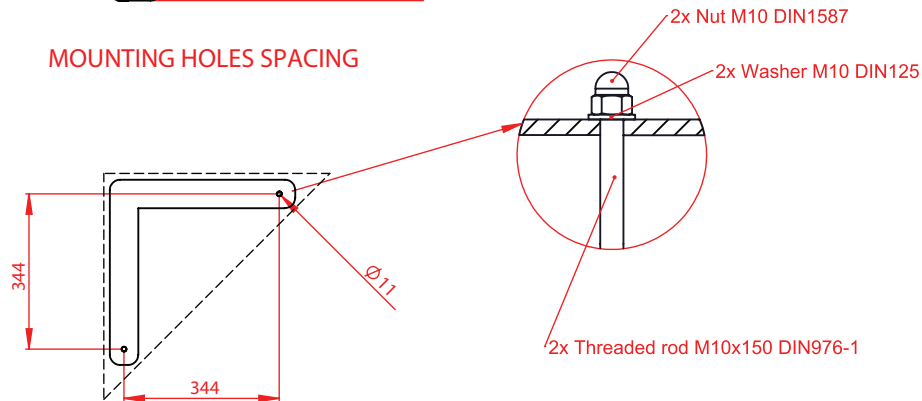
TOP VIEW



ISOMETRIC VIEW (SCALE 1:10)



MOUNTING HOLES SPACING



Dimensions given in [mm]

Project and drawing content is intellectual property of ZANO Street Architecture company. The author of the project reserves all rights in accordance with the Directives (EU): 2019/790 of the European Parliament and of the Council of 17 April 2019 on copyright and related rights in the Digital Single Market, Directive 96/9/EC and 2001/29/EC. All rights reserved



ul.Lindego 7a,
30-148 Kraków

Seat
Scandik 02.146.1

| | | |
|---------|----------------|---------|
| Number: | 270220-v1 | |
| Sheet: | A4 | |
| Scale: | 1:15 | |
| Mass: | with soft wood | 16,5 kg |
| | with hard wood | 19 kg |