

## GENERAL TECHNICAL DATA

### dimensions:

- height: 147 cm
- width total: 42 cm
- depth total: 77 cm

**weight:** 45 kg

**materials:** - stainless or carbon steel

## OPIS

Bicycle repair station is designed for ad hoc repair and adjustment of bikes by the user individually, using the construction of the device as a base and the tools provided in the repair station equipment.

Welded construction is made of 5 mm thick steel sheets, carbon steel s235Jr galvanized and powder coated according to RAL palette or entirely made of stainless steel 1.4301 ground. The station is equipped with a bicycle support made of two stainless steel tubes 42 x 2,6 mm diameter, length 450 cm. Some of the tools and all fastening elements (cables), which are the station's equipment, are made of stainless steel.

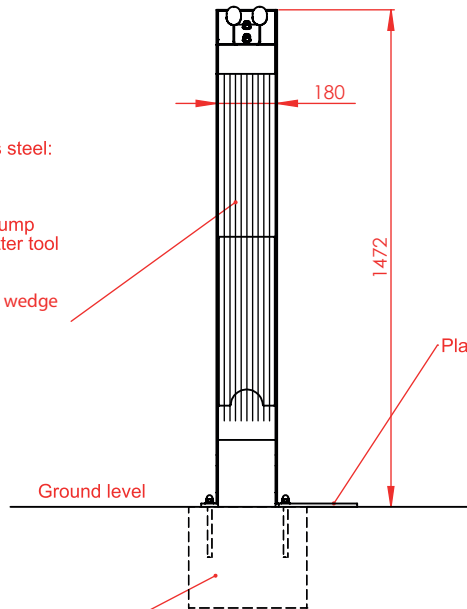
All street furniture elements must be properly anchored according to the manufacturer's technical instructions. The manufacturer is not responsible for damage caused by negligent use or failure to follow the instructions.



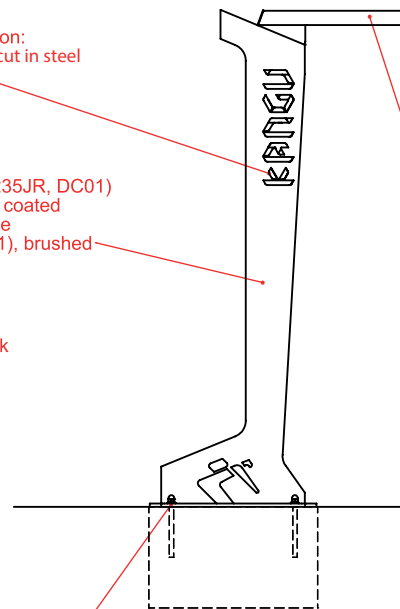
product:  
bicycle repair KANGU 18.004  
version:  
designer: Filip Babiarz

The design and content of the drawing is the intellectual property of ZANO Miroslaw Zarotyński. The author of the design in accordance with the Act on Copyright and Related Rights of 04.02.1994. (Journal of Laws 2006 No. 90 item 631 with later changes) reserves the copyright. All rights reserved.

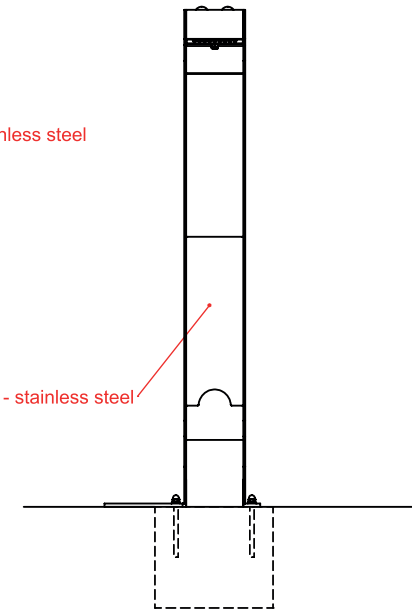
FRONT VIEW



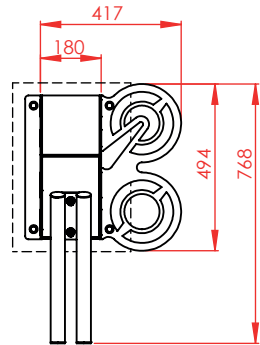
SIDE VIEW



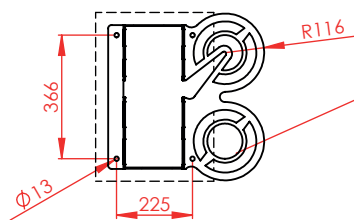
BACK VIEW



TOP VIEW

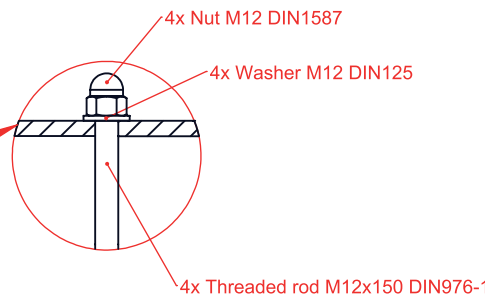
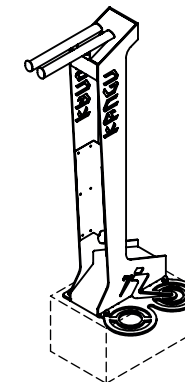


MOUNTING HOLES SPACING



Installation variants:  
 - Attached by bolts to foundation  
 - Free-standing with weight block

ISOMETRIC VIEW (SCALE 1:30)



Dimensions given in [mm]

Project and drawing content is intellectual property of ZANO Street Architecture company. The author of the project reserves all rights in accordance with the Directives (EU) 2019/790 of the European Parliament and of the Council of 17 April 2019 on copyright and related rights in the Digital Single Market, Directive 96/9/EC and 2001/29/EC. All rights reserved.



ul.Lindego 7a,  
30-148 Kraków

Bike repair station  
Kangu 18.004

Number:	240518-v3
Sheet:	A4
Scale:	1:20
Mass:	45 kg

