

GENERAL TECHNICAL DATA

dimensions: - width: 34 cm
 - depth of the base: 7,5 cm
 - total depth: 24,5 cm
 - height: 113 cm

notice board surface:
 - width: 34 cm
 - height: 26 cm

weight: - 54 kg

materials: - stainless steel or carbon steel

DESCRIPTION

Contemporary, durable information boards with slightly rounded edges. Designed in four universal sizes of printing/etching area. Printing areas are standard A4, B2 and B1 formats.

The boards are available in four sizes from S to XL. The S,M models are designed to present short, concise information. They can be used as direction signs. L and XL models are designed to present more extensive content (e.g. maps of tourist trails, cities, airports, stations).

The steel construction guarantees resistance to weather conditions and long life of the boards. The structure can be made of stainless or carbon steel, galvanised and powder coated in the RAL colour indicated by the customer.

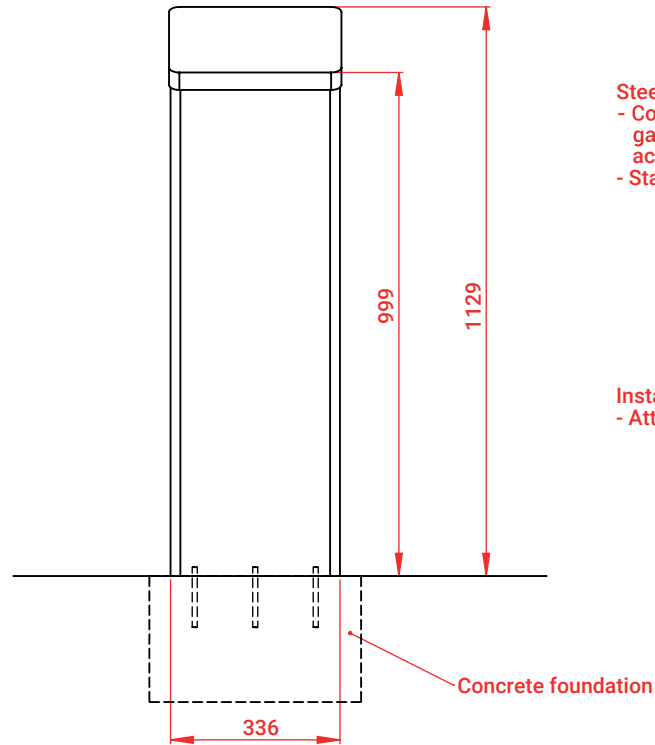
The boards are mounted to the ground by bolted to the concrete ground with anchors.



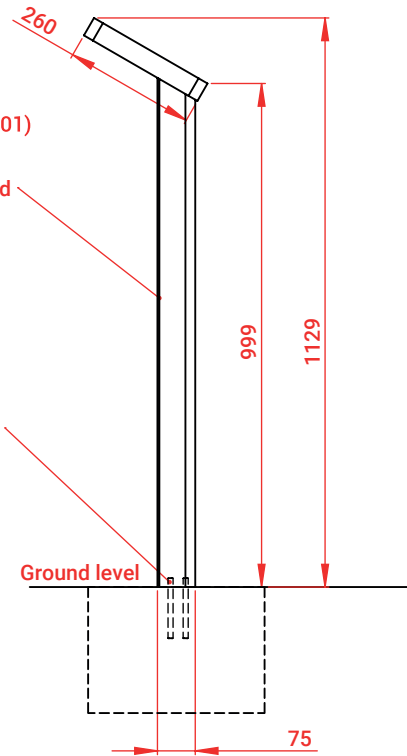
product:
 Information board
 SCANDIK 08.046.S
 version: v1
 designer: Iwona Pieczara

The design and content of the drawing is the intellectual property of ZANO Miroslaw Zarotynski. The author of the design in accordance with the Act on Copyright and Related Rights of 04.02.1994. (Journal of Laws 2006 No. 90 item 631 with later changes) reserves the copyright. All rights reserved.

FRONT VIEW



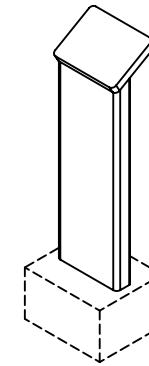
SIDE VIEW



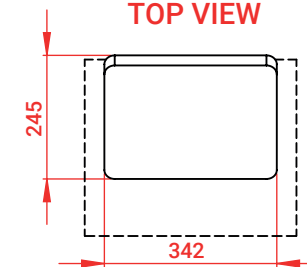
Steel types:
 - Construction steel (S235JR, DC01)
 galvanized and powder coated
 according to RAL palette
 - Stainless steel (1.4301), brushed

Installation:
 - Attached by bolts to foundation

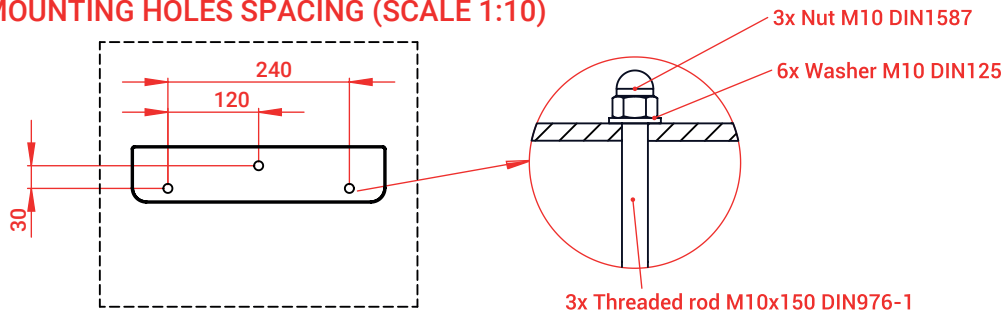
ISOMETRIC VIEW (SCALE 1:30)



TOP VIEW



MOUNTING HOLES SPACING (SCALE 1:10)



Dimensions given in [mm]

Project and drawing content is intellectual property of ZANO Street Architecture company. The author of the project reserves all rights in accordance with the Directives (EU): 2019/790 of the European Parliament and of the Council of 17 April 2019 on copyright and related rights in the Digital Single Market, Directive 96/9/EC and 2001/29/EC. All rights reserved.



ul.Lindego 7a,
 30-148 Cracow
 Poland

**Information board
 Scandik 08.046.S**

Number:	110620-v1
Sheet:	A4
Scale:	1:15
Mass:	21 kg

